



St. James Parish Government

P. O. Box 106
Convent, Louisiana 70723-0106
(225) 562-2260
FAX (225) 562-2279
TDD: (225) 562-8500

Peter A. Dufresne
Parish President

To: Coastal Zone Advisory Board

Date: September 22, 2023

Re: Meeting Notice

The St. James Parish Coastal Zone Advisory Board will host a regular scheduled meeting on **Monday, September 25, 2023 at 5:00 p.m.**, inside the **Convent Courthouse**. 5800 LA Highway 44, Convent, LA 70723. Enclosed for your review are minutes of the previous regular meeting, and a copy of the tentative agenda.

If you have any questions, please feel free to contact me at (225)562-2426 or (225)264-3709.

Sincerely,

Marrill McKarry

Marrill McKarry
Coastal Zone/Floodplain Manager
St. James Parish Operation's Department

Richard Webre
Director of
Operations

Felix Boughton
Director of
Finance

Ingrid Bergeron-LeBlanc
Director of
Human Resources

Eric Deroche
Director of
Emergency Preparedness

**ST. JAMES PARISH COASTAL ZONE MANAGEMENT
5800 HIGHWAY 44, CONVENT, LA 70723
REGULAR MEETING AGENDA
MONDAY, SEPTEMBER 25, 2023 - 5:00 p.m.**

I. CALL TO ORDER

II. ROLL CALL

III. MINUTES OF PREVIOUS MEETINGS

1. Monday, August 28, 2023 Regular Meeting Minutes

IV. CORRESPONDENCE

1. None

V. PRESENTATION AND PUBLIC COMMENTS

1. Presentation - None
2. Public Comments - (on agenda items)

VI. OLD BUSINESS

1. **Mosaic Fertilizer LLC P20230630-** Proposing to install a new rock feed conveyor at Mosaic's Uncle Sam Facility. New structural steel and pile caps tied together with grade beams will be required to support the new conveyor. The pile caps are 3'-0" thick and are supported by 24" diameter auger cast piles that are 40' long. An existing stair tower will also be demolished along with its foundation. The excavation created to demolish the stair tower foundation will be backfilled.

VII. NEW BUSINESS

1. None

VIII. STATE CONCERNS

All state applications can be viewed through OCM PermitTRAK Database link below:

http://sonlite.dnr.state.la.us/sundown/cart_prod/cart_cmd_menu

Applicant	Project	Coastal Use Permit #
Acadian Gas Pipeline System	Project: 20 Inch Chico C to Koch Pipeline Final Determination: NDSI Application Modification: Crawfish pond labeled as COE wetlands.	P20230462
Shell Oil Products US-Convent Facility	Project: Facility Maintenance Dredging Preliminary Determination: NDSI Application Modification: N/A	P20200869
American Commercial Barge Line	Project: Proposed New Midstream Ship Berth Preliminary/Final Determination: NDSI Application Modification: N/A	P20230631
Rain Carbon, Inc.	Project: Gramercy Dock Maintenance Dredging Preliminary Determination: Coastal Use Permit Application Modification: N/A	P20230686

IX. ADJOURNMENT

PROCEEDING OF THE COASTAL ZONE MANAGEMENT ADVISORY COMMISSION, PARISH OF ST. JAMES, STATE OF LOUISIANA, TAKEN AT A REGULAR MEETING AT THE ST. JAMES PARISH WESKBANK COURTHOUSE ANNEX ON MONDAY, AUGUST 28, 2023.

The Coastal Zone Management Advisory Commission (CZMAC) of the Parish of St. James, State of Louisiana, met in a regular session on Monday, August 28, 2023 5:00 p.m.

PRESENT:, Carl Vicknair, Ed Arceneaux Jr., Yvette Melancon, Wayne Becnel, Elton Chenier, and Levar Joseph

ABSEENT: Craig Calcagno and Brandon Gravois

ALSO, IN ATTENDANCE: Marrill McKarry

MINUTES: Motioned by Elton Chenier and seconded by Wayne Becnel to approve the regular meeting of Monday, July 31, 2023 as presented. Roll Call: Craig Calcagno- absent, Carl Vicknair- yes, Brandon Gravois- absent, Ed Arceneaux Jr.- yes, Yvette Melancon-yes, Wayne Becnel- yes, Elton Chenier-yes, Levar Joseph- yes All in favor. Motion Carried. (6-yes, 0-No, 2-Absent)

CORRESPONDENCE:

1. None

PRESENTATION AND PUBLIC COMMENTS:

1. Presentation -None
2. Public Comments (on agenda items) - None

OLD BUSINESS:

1. Wayne Becnel motion to move Mosaic Fertilizer LLC P20230630 from old business to new business. Motion was seconded by Carl Vicknair. Roll Call: Craig Calcagno- absent, Carl Vicknair- yes, Brandon Gravois- absent, Ed Arceneaux Jr.- yes, Yvette Melancon-yes, Wayne Becnel- yes, Elton Chenier-yes, Levar Joseph-yes All in favor. Motion Carried. (6-yes, 0-No, 2-Absent)

NEW BUSINESS:

1. **Mosaic Fertilizer LLC-P20230630**– Proposing to install a new rock feed conveyor at Mosaic's Uncle Sam Facility. New structural steel and pile caps tied together with grade beams will be required to support the new conveyor. The pile caps are 3'-0" thick and are supported by 24" diameter auger cast piles that are 40' long. An existing stair tower will also be demolished along with its foundation. The excavation created to demolish the stair tower foundation will be backfilled.

Carl Vicknair made a motion to advertise public notice for the decision at the September meeting. Motion was second by Elton Chenier. Roll Call: Craig Calcagno- absent, Carl Vicknair- yes, Brandon Gravois- absent, Ed Arceneaux Jr.- yes, Yvette Melancon-yes, Wayne Becnel- yes, Elton Chenier-yes, Levar Joseph-yes All in favor. Motion Carried. (6-yes, 0-No, 2-Absent)

STATE CONCERNS:

All state applications can be viewed through OCM PermitTRAK Database link below:

http://sonlite.dnr.state.la.us/sundown/cart_prod/cart_cmd_menu

Applicant	Project	Coastal Use Permit #
Enterprise Products Operating LLC	Project: 8 Inch Koch Ethane Pipeline Preliminary Determination: Coastal Use Permit (NOTICE) Application Modification: Steps 5a, 10, and 11a updated. Additional access road, habitats and acreages added, open cut details revised, foreign line crossing updated, culverts added to access roads, valve site on sheet 9 reduced.	P20230570
No comments were made.		
Ascension Pipeline LLC	Project: Ascension Pipeline Project Final Determination: Coastal Use Permit Application Modification: Although the permit has expired and no new work is being proposed/permitted, this authorization is being amended to document compensatory mitigation required for permanent impacts to 0.39 acres of fresh marsh habitat resulting from the conversion of temporary to permanent access roads to three block-valve stations on pgs. 59, 65, and 71 of the revised permit plats in order to comply with NGL pipeline regulations which require immediate/emergency access in the event of an incident and to correct an overestimate of impacts to Cypress Swamp habitat, see table on pg. 88.	P20150393
No comments were made.		
Acadian Gas Pipeline System	Project: 20 Inch Chico C to Koch Pipeline	P20230462

	<p>Preliminary Determination: NDSI Application Modification: Post-issuance modification: pipeline rerouted as required by landowner, reducing pipeline length from 7868 ft to 7412 ft. St. James Parish LCP comment added to plats.</p> <p>Crawfish pond labeled as COE wetlands. Final Determination: Coastal Use Permit Application Modification: A request for extension of the initiation period has been received.</p>	
No comments were made.		
Louisiana Department of Transportation	<p>Project: H.013116 LA 20 - LA 307 S. Vacherie</p> <p>Final Determination: Coastal Use Permit Application Modification: Updated sketches to indicate revised limits of construction. N/A</p>	P20200869
No comments were made.		
American Commercial Barge Line	<p>Project: Proposed New Midstream Ship Berth</p> <p>Preliminary/Final Determination: NDSI Application Modification: N/A</p>	P20230631
<p>Elton Chenier motion to place state item P20230631 up on September meeting agenda for clarity of compliance with the St. James Parish Land Use Plan. Motion was seconded by Yvette Melancon. Roll Call: Craig Calcagno- absent, Carl Vicknair- yes, Brandon Gravois- absent, Ed Arceneaux Jr.- yes, Yvette Melancon-yes, Wayne Becnel- yes, Elton Chenier-yes, Levar Joseph-yes All in favor. Motion Carried. (6-yes, 0-No, 2-Absent)</p>		

ADJOURNMENT:

Motioned by Wayne Becnel and was seconded by Elton Chenier to adjourn. All in favor. Motion carried. The meeting was adjourned at 5:07 p.m.

s/ _____

LeVar Joseph, Chairman

DEPARTMENT OF NATURAL RESOURCES
State/Local Concern Determinations

Application #: P20230630

Parish: SAINT JAMES

Date Completed: 08/04/2023

Louisiana Revised Statute 49:214 Types of Uses

A. No Local Program exists for the parish selected.

No Local Program

B. Uses of the Coastal Zone subject to the Coastal Use Permitting program shall be of two types:

(1) Uses of State Concern

- a. Any dredge or fill activities which intersects with more than one water body
- b. Projects involving use of state owned lands or water bottoms
- c. State publicly funded projects
- d. National interest projects
- e. Projects occurring in more than one parish
- f. All mineral activities
- g. All pipelines involved in mineral activities
- h. Energy facilities siting and development
- i. Uses of local concern which may significantly affect interests of regional, state, or national development

(2) Uses of Local Concern

- a. Privately funded projects which are not uses of state concern
- b. Publicly funded projects which are not uses of state concern
- c. Maintenance of uses of local concern
- d. Jetties or breakwaters
- e. Dredge or fill project not intersecting more than one water body
- f. Bulkheads
- g. Piers
- h. Camps and cattlewalks
- i. Maintenance dredging
- j. Private water control structures of less than \$15,000 in cost
- k. Uses of Cheniers, salt domes, or similar land forms

Comments:

Near Pontchartrain Levee District Federal_River_Levee

Based on the above considerations, this Coastal Use Permit application has been determined to be a **Local Concern**



Kyle F. Balkum, Administrator



Louisiana Department of Natural Resources
Office of Coastal Management

**Joint Permit Application
For Work Within the Louisiana
Coastal Zone**



U.S. Army Corps of Engineers
(COE)
New Orleans District

Application Number: 31695

Permit Number: P20230630

Date Received: 08/01/2023

Step 1 of 15 - Applicant Information

Applicant Name: Mosaic Fertilizer LLC

Applicant Type: INDUSTRY/OTHER

Mailing Addr : 7250 LA-44
Convent, LA 70723

Gill Walker

Contact Info: (225) 413-6602

Fax: -

Email: Gill.Walker@mosaicco.com

Phone:

Step 2 of 15 - Agent Information

Agent Name: HARGROVE AND ASSOCIATES, INC.

Mailing Addr: 4150 S. Sherwood Forest Blvd.
Baton Rouge, LA 70816

Mille Delacroix

Contact Info: (225) 706-4150

Fax: -

Email: mdelacroix@hargrove-epc.com

Phone:

Step 3 of 15 - Permit Type

Coastal Use Permit (CUP)

Solicitation of Views (SOV)

Request for Determination (RFD)

Step 4 of 15 - Pre-Application Activity

a. Have you participated in a Pre-Application or Geological Review Meeting for the proposed project?

No

Yes

Date meeting was held:

Attendees:

(Individual or Company Rep)

(OCM Representative)

(COE Representative)

b. Have you obtained an official wetland determination from the COE for the project site?

No

Yes

If Yes, Please upload a copy with your application.

JD Number:

c. Is this application a mitigation plan for another CUP?

No

Yes

OCM Permit Number:

Step 5 of 15 - Project Information



Louisiana Department of Natural Resources
Office of Coastal Management

Joint Permit Application For Work Within the Louisiana Coastal Zone



U.S. Army Corps of Engineers
(COE)
New Orleans District

a. Describe the project.

This project involves installing a new rock feed conveyor at Mosaic's Uncle Sam Facility. New structural steel and pile caps tied together with grade beams will be required to support the new conveyor. The pile caps are 3'-0" thick and are supported by 24" diameter auger cast piles that are 40' long. An existing stair tower will also be demolished along with it's foundation. The excavation created to demolish the stair tower foundation will be backfilled.

b. Is this application a change to an existing permit?

No Yes OCM Permit Number:

c. Have you previously applied for a permit or emergency authoriation for all or any part of the proposed project?

No Yes

Agency	Contact	Permit Number	Decision Status	Decision Date
OCM				
COE				
Other				

Step 6 of 15 - Project Location

a. Physical Location

Street:

City:

Parish: Saint James

Zip:

Water Body:

b. Latitude and Longitude

Latitude: 30 02 21.12 Longitude: 90 49 56.75

c. Section, Township, and Range

Section #: Township #: Range #:
Section #: Township #: Range #:

d. Lot, Tract, Parcel, or Subdivision Name

Lot #: Parcel #:
Tract #: Subdivision Name:



Louisiana Department of Natural Resources
Office of Coastal Management

Joint Permit Application For Work Within the Louisiana Coastal Zone



U.S. Army Corps of Engineers
(COE)
New Orleans District

e. Site Direction

Step 7 of 15 - Adjacent Landowners - See attached list

Step 8 of 15 - Project Specifics

a. Project Name and/or Title: Rock Feed to Phos Acid

b. Project Type: Non-Residential

c. Jurisdiction: Local Concern

d. Source of Funding PRIVATE

e. What will be done for the proposed project?

- | | | | |
|---|---|---|--|
| <input type="checkbox"/> Bridge/Road | <input type="checkbox"/> Home Site/Driveway | <input type="checkbox"/> Pipeline/Flow Line | <input type="checkbox"/> Rip Rap/Erosion Control |
| <input type="checkbox"/> Bulkhead/Fill | <input type="checkbox"/> Levee Construction | <input type="checkbox"/> Plug/Abandon | <input type="checkbox"/> Site Clearance |
| <input type="checkbox"/> Drainage Improvements | <input type="checkbox"/> Dredging | <input type="checkbox"/> Production Barge/Structure | <input type="checkbox"/> Subdivision |
| <input type="checkbox"/> Drill Barge/ Structure | <input type="checkbox"/> Prop Washing | <input type="checkbox"/> Vegetative Plantings | <input type="checkbox"/> Wharf/Pier/Boathouse |
| <input type="checkbox"/> Drill Site | <input checked="" type="checkbox"/> Pilings | <input checked="" type="checkbox"/> Remove Structures | |
| <input checked="" type="checkbox"/> Fill | <input type="checkbox"/> Marina | <input type="checkbox"/> Major Industrial/Commercial | |
| <input checked="" type="checkbox"/> Other: Demolishing existing steel and foundations and adding new steel supported on pile caps connected by grade beams. | | | |

f. Why is the proposed project needed?

This project is needed to make improvements to an existing rock conveying system.

Step 9 of 15 - Project Status

a. Proposed start date: 10/01/2024 **Proposed completion date:** 10/01/2025

b. Is any of the project work in progress?

No Yes

c. Is any of the project work completed?

No Yes

Step 10 of 15 - Structures, Materials, and Methods for the Pr

a. Excavations

215 Cubic Yards

0.066 Acres



Louisiana Department of Natural Resources
Office of Coastal Management

Joint Permit Application For Work Within the Louisiana Coastal Zone



U.S. Army Corps of Engineers
(COE)
New Orleans District

b. Fill Areas

215 Cubic Yards 0.066 Acres

c. Fill Materials

- | | | | |
|---|-----------------|--|-------------|
| <input checked="" type="checkbox"/> Concrete: | 215 Cubic Yards | <input type="checkbox"/> Rock: | Cubic Yards |
| <input type="checkbox"/> Crushed Stone or Gravel: | Cubic Yards | <input type="checkbox"/> Sand: | Cubic Yards |
| <input type="checkbox"/> Excavated and Placed onsite : | Cubic Yards | <input type="checkbox"/> Hauled in Topsoil/Dirt: | Cubic Yards |
| <input checked="" type="checkbox"/> Excavated and hauled offsite: | 215 Cubic Yards | | |
| <input type="checkbox"/> Other: | | | Cubic Yards |

d. What equipment will be used for the proposed project?

- | | | |
|---|--|--|
| <input type="checkbox"/> Airboat | <input type="checkbox"/> Bulldozer/Grader | <input type="checkbox"/> Marsh Buggy |
| <input type="checkbox"/> Backhoe | <input checked="" type="checkbox"/> Dragline/Excavator | <input type="checkbox"/> Other Tracked or Wheeled Vehicles |
| <input type="checkbox"/> Barge Mounted Bucket Dredge | <input type="checkbox"/> Handjet | <input type="checkbox"/> Self Propelled Pipe Laying Barge |
| <input type="checkbox"/> Barge Mounted Drilling Rig | <input type="checkbox"/> Land Based Drilling Rig | <input type="checkbox"/> Tugboat |
| <input checked="" type="checkbox"/> Other: Auger Cast Pile drilling rig | | |

Step 11 of 15 - Project Alternatives

a. Total acres of wetlands and/or waterbottoms filled and/or excavated.

acres

b. What alternative locations, methods, and access routes were considered to avoid impact to wetlands and/or waterbottoms?

c. What efforts were made to minimize impact to wetlands and/or waterbottoms?

d. How are unavoidable impacts to vegetated wetlands to be mitigated?

Step 12 of 15 - Permit Type and Owners

a. Are you applying for a Coastal Use Permit?

- No Yes



Louisiana Department of Natural Resources
Office of Coastal Management

Joint Permit Application For Work Within the Louisiana Coastal Zone



U.S. Army Corps of Engineers
(COE)
New Orleans District

b. Are you the sole landowner / oyster lease holder?

- No Yes
- The applicant is an owner of the property on which the proposed described activity is to occur.
- The applicant has made reasonable effort to determine the identity and current address of the owner(s) of the land on which the proposed described activity is to occur, which included, a search of the public records of the parish in which the proposed activity is to occur.
- The applicant hereby attests that a copy of the application has been distributed to the following landowners / oyster lease holders. See attached list.

c. Does the project involve drilling, production, and/or storage of oil and gas?

- No Yes **If yes, you must attach a list of all state and federal laws and rules and regulations dealing with spill prevention and containment.**

Step 13 of 15 - Maps and Drawing Instructions

Note: OCM Compiled Plats consist of a complete and current set of plats that have been pieced together by OCM using only the most current portions of the plat files provided by the applicant/agent. All out-of-date plats have been excluded.

MosaicRockFeedConveyorFdnDrawings.pdf	08/01/2023 03:11:06 PM
CoverLetter.pdf	08/01/2023 03:10:36 PM

Step 14 of 15 - Payment

The fee for this permit is: \$ 0.00

Step 15 of 15 - Payment Processed

Applicant Information

Applicant Name: Mosaic Fertilizer LLC
Address: 7250 LA-44

Convent, LA 70723

To the best of my knowledge the proposed activity described in this permit application complies with, and will be conducted in a manner that is consistent with the Louisiana Coastal Resources Program. If applicable, I also certify that the declarations in Step 12c, oil spill response, are complete and accurate.



Louisiana Department of Natural
Resources
Office of Coastal Management

Joint Permit Application For Work Within the Louisiana Coastal Zone



U.S. Army Corps of Engineers
(COE)
New Orleans District

Landowners List



PROJECT SITE



ISSUED FOR PERMIT PURPOSES ONLY

PRELIMINARY NOT FOR CONSTRUCTION

NOTES:

- 1. FOR ENLARGED SITE PLAN SEE DRAWING SK-HAR-222271-CS-002.

VICINITY MAP

NO.	DATE	BY	CHK.	APP.	DESCRIPTIONS

REFERENCE DRAWINGS:

hargrove
 engineers + architects
 Hargrove and Associates Inc.
 4100 S. Sherwood Forest Blvd
 70119-3372, 70120, hargrove-qa.com

ST. JAMES, LOUISIANA
 MISSISSIPPI RIVER - RIVER MILE MARKER 1605
 MOSAIC ROCK YARD
 ROCK FEED TO PHOS ACID

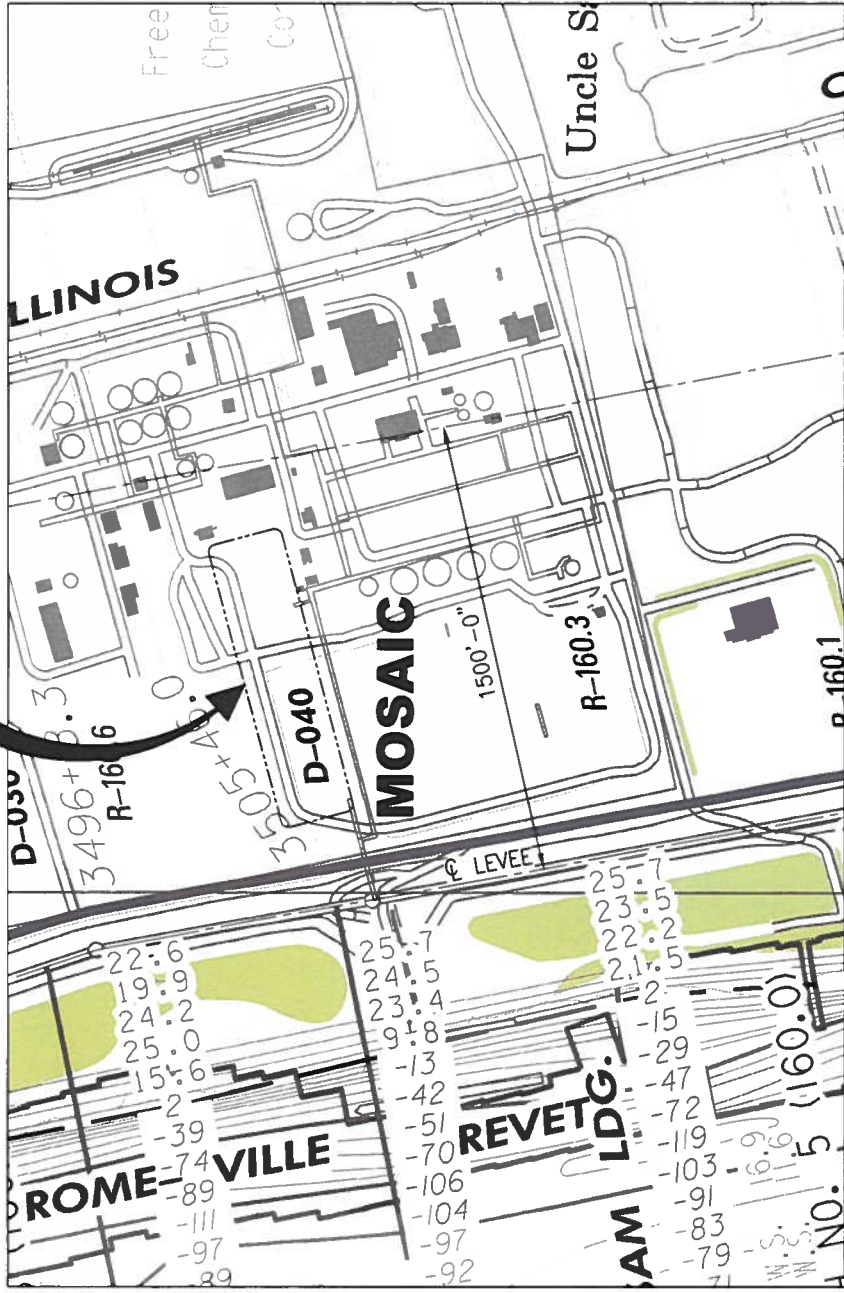
CONTRACT NO.	OWNER NO.
DESIGNED BY	DATE
SCG	7/28/2023
CHECKED BY	DATE
JRB	8/7/2023
APPROVED BY	DATE
JRB	8/11/2023
DATE	DATE
BRANDING NUMBER	REV.
SK-HAR-222271-CS-001	A
AS NOTED	

TRUE NORTH

AREA OF WORK
SEE ENLARGED AREA OF
WORK PLAN ON DWG
SK-HAR-222271-003
FOR LOCATIONS

NOTES:

- 1. FOR ENLARGED AREA OF WORK PLAN SEE DRAWING SK-HAR-222271-CS-003.



ENLARGED SITE PLAN

ISSUED FOR
PERMIT
PURPOSES
ONLY

PRELIMINARY
NOT FOR
CONSTRUCTION

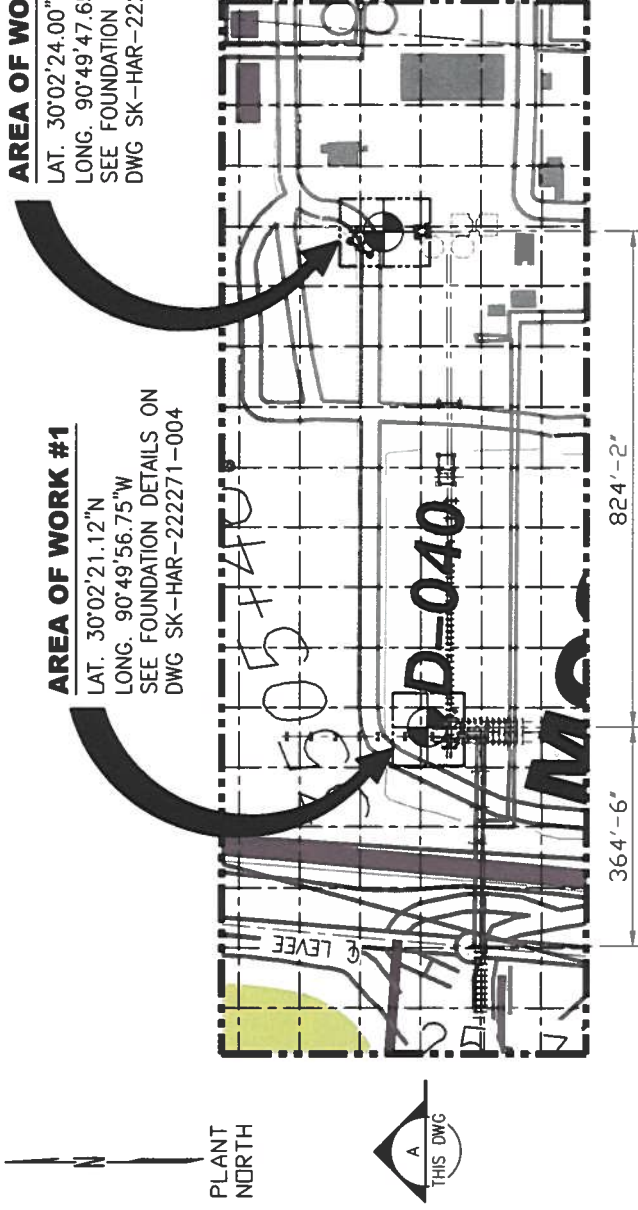
NO.	DATE	REVISIONS	BY	CHK.	APPL.	REFERENCE DRAWINGS

hargrove engineers & constructors Hargrove and Associates, Inc. 4150 S. Shepherd Forest Blvd. 233-222-0000 - hargrove-nc.com	RECK FEED TO PHOS ACID MOSAIC ROCK YARD MISSISSIPPI RIVER - RIVER MILE MARKER 1605 ST. JAMES, LOUISIANA	OWNER NO. SK-HAR-222271-CS-002
DATE 8/17/2023	APPROVED BY [Signature]	DATE 8/17/2023
DATE 8/17/2023	APPROVED BY [Signature]	DATE 8/17/2023
DATE 8/17/2023	APPROVED BY [Signature]	DATE 8/17/2023
DATE 8/17/2023	APPROVED BY [Signature]	DATE 8/17/2023
DATE 8/17/2023	APPROVED BY [Signature]	DATE 8/17/2023
DATE 8/17/2023	APPROVED BY [Signature]	DATE 8/17/2023
DATE 8/17/2023	APPROVED BY [Signature]	DATE 8/17/2023

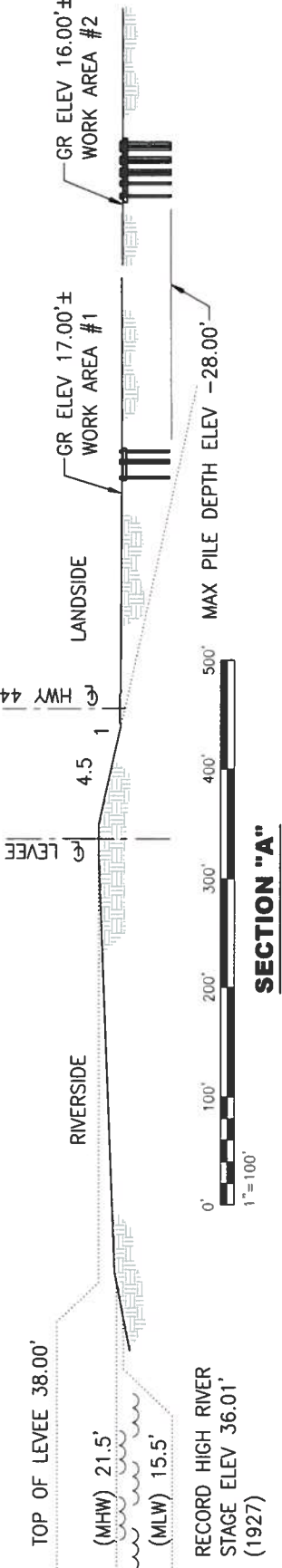
NOTES:
 1. FOR FOUNDATION DETAILS SEE SK-HAR-222271-CS-004.

AREA OF WORK #2
 LAT. 30°02'24.00"N
 LONG. 90°49'47.65"W
 SEE FOUNDATION DETAILS ON DWG SK-HAR-222271-004

AREA OF WORK #1
 LAT. 30°02'21.12"N
 LONG. 90°49'56.75"W
 SEE FOUNDATION DETAILS ON DWG SK-HAR-222271-004



ENLARGED AREA OF WORK PLAN



SECTION "A"

ISSUED FOR PERMIT PURPOSES ONLY

PRELIMINARY NOT FOR CONSTRUCTION

CONTRACT NO.	OTHER NO.
APPROVED BY	DATE
APPROVED BY	DATE
DRAWING NUMBER	REV
SK-HAR-222271-003	A

DRAWN BY	DATE
SCG	7/28/2023
CHECKED BY	DATE
JRB	8/17/2023
APPROVED BY	DATE
JRB	8/17/2023
SCALE	
AS NOTED	

ROCK FEED TO PHOS ACID
 MOSAIC ROCK YARD
 MISSISSIPPI RIVER - RIVER MILE MARKER 1605
 ST. JAMES, LOUISIANA

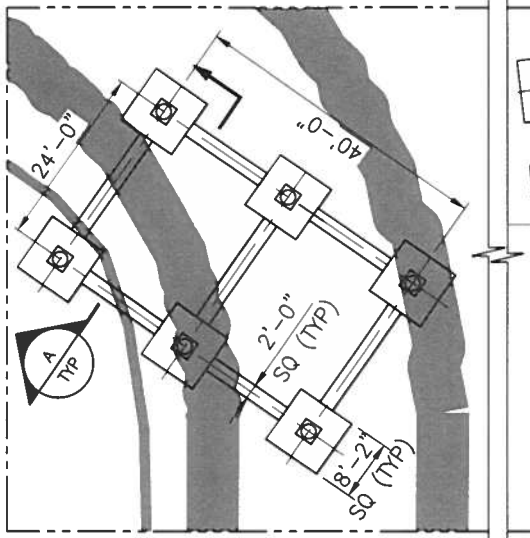
hargrove
 engineers, architects, & interior architects
 Hargrove and Associates, Inc.
 4150 S. St. James Street
 St. James, Louisiana 70584
 337.232.2020 • www.hargrove.com

NO.	DATE	BY	CHK.	APPL.	REVISIONS

REFERENCE DRAWINGS

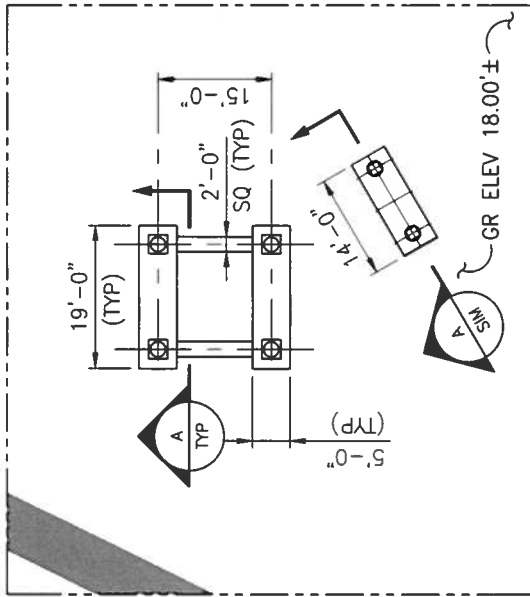
NOTES:

1. SEE DRAWING SK-HAR-222271-CS-001 FOR SITE LOCATION.



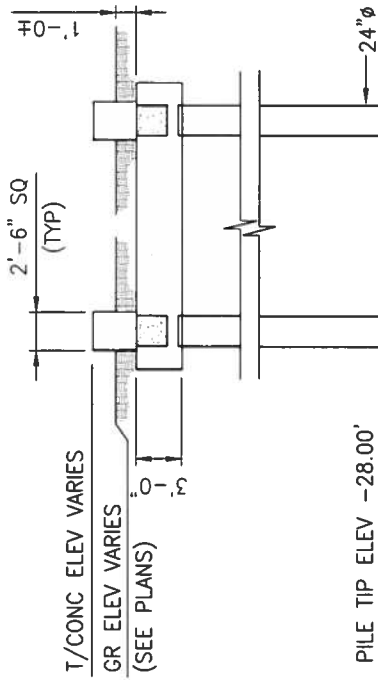
WORK AREA #2 ENLARGED PLAN

SCALE: 1/16" = 1'-0"



WORK AREA #1 ENLARGED PLAN

SCALE: 1/16" = 1'-0"



SECTION "A"

SCALE: 1/8" = 1'-0"

ISSUED FOR PERMIT PURPOSES ONLY

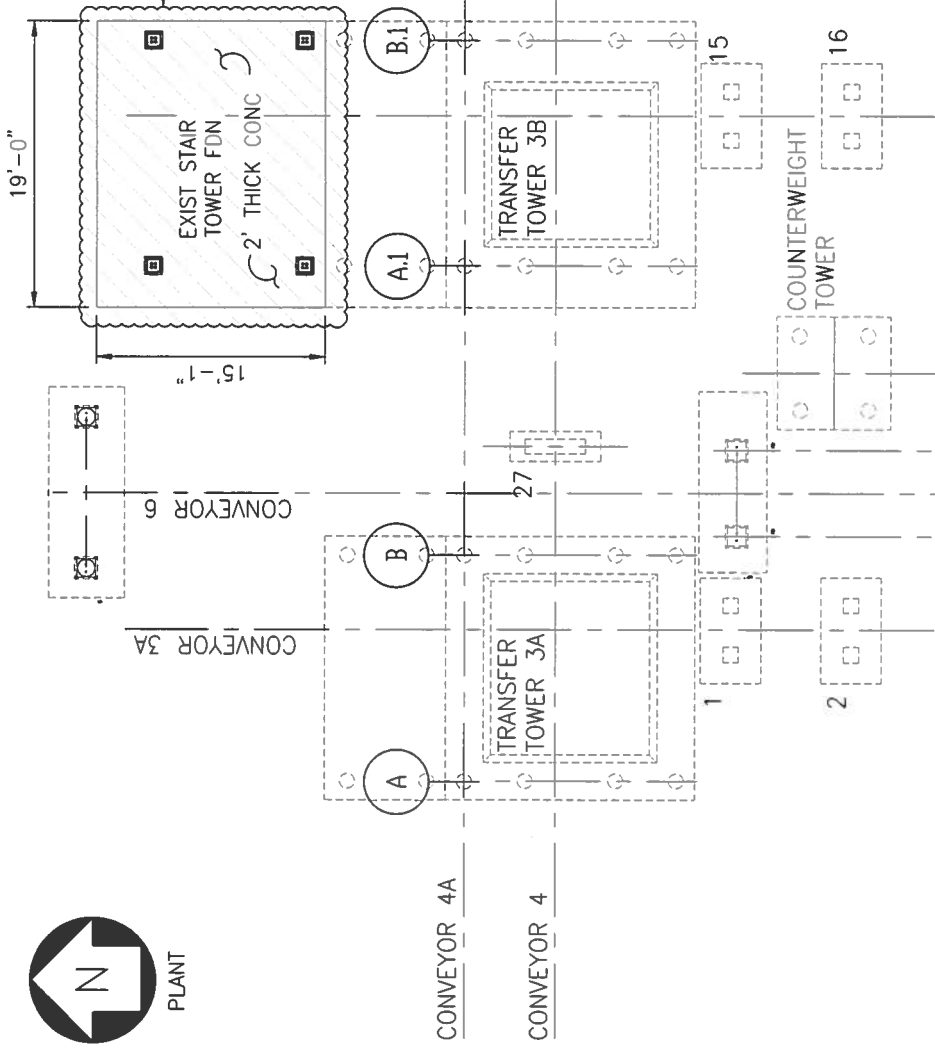
PRELIMINARY NOT FOR CONSTRUCTION

NO.	DATE	REVISIONS	BY	CHK.	APP.	REFERENCE DRAWINGS

ROCK FEED TO PHOS ACID
 MOSAIC ROCK YARD
 MISSISSIPPI RIVER - RIVER MILE MARKER 1605
 ST. JAMES, LOUISIANA

hargrove
engineers+constructors
 Hargrove and Associates Inc.
 4150 S. Sherwood Forest Blvd
 33337.2020 - hargrove-nc.com

DRAWN BY	SCG	DATE	7/28/2023	CONTRACT NO.		OFFICE NO.	
CHECKED BY	JAB	DATE	8/17/2023	APPROVED BY		DATE	
DATE		APPROVED BY		DATE			
TITLE		REVISION NUMBER					
AS NOTED		SK-HAR-222271-004					



NOTES:

1. SEE DRAWING SK-HAR-222271-CS-001 FOR SITE LOCATION.

STAIR TOWER FOUNDATION

DEMO = 22 CU YDS CONCRETE

ISSUED FOR PERMIT PURPOSES ONLY

PRELIMINARY NOT FOR CONSTRUCTION

WORK AREA #1 EXISTING FOUNDATION LOCATION PLAN

SCALE: 1/8" = 1'-0"

NO.	DATE	REVISIONS	BY	CHK.	APPL.	REFERENCE DRAWING

DESIGNED BY JRS	DATE 7/20/2023	CONTRACT NO.	OWNER NO.
CHECKED BY JRS	DATE 8/1/2023	APPROVED BY	DATE
APPROVED BY JRS	DATE 8/1/2023	APPROVED BY	DATE
SCALE	DRAWING NUMBER		
AS NOTED	SK-HAR-222271-005		

ROCK FEED TO PHOS ACID MOSAIC ROCK YARD MISSISSIPPI RIVER - RIVER MILE MARKER 1605 ST. JAMES, LOUISIANA	 Hargrove and Associates Inc. 4101 S. Sherwood Forest Blvd 213.227.2000 - hargrove-gpc.com
--	---